



Quick TeeJet® Caps

Colour Code

1	2	3	4	5	6	7	8	9	10	11	12	13
Black	White	Red	Blue	Green	Yellow	Brown	Orange	Gray	Violet	Lt. Blue	Telemagenta	Lt. Green

Ordering Information – Specify Colour Code When Ordering

QUICK TEEJET CAPS	PART NUMBER	PRICE(B)	FOR USE WITH THESE SPRAY TIPS
	CP114440-*-CE	1.15	TeeJet® Flat Spray Tips (Smaller Capacities) TP Standard -0067 to -08 XR -01 to -08 Turbo TeeJet® -01 to -08 Turbo TwinJet® OC TeeJet® AIXR TeeJet® -015 to -06 DG TeeJet®
	QJ25611-9PP	1.45	
	QJ25609-*	1.30	TeeJet Flat Spray Tips (Larger Capacities) TP Standard -10 to -20 XR -10 to -15
	CP114442-*-CE	1.30	TJ60 TwinJet® AI TeeJet® and AIUB TeeJet® AI Turbo TwinJet® -02 to -06 Turbo TeeJet® Induction -015 to -06 DG TwinJet® SJ3 StreamJet AIXR TeeJet® -08 to -10
	CP114501-*-CE	2.20	AI Turbo TwinJet® -08 to -15 Turbo TeeJet® Induction -08 to -10 Turbo TeeJet® -10 to -12
	QJ98578-1NY	2.15	AI3070
	QJ25599-*	1.30	Turbo FloodJet® TK-VP FloodJet® TK-VS FloodJet® Locating Nib
	CP114444-*-CE	1.30	TK FloodJet® FL FullJet® TX/TXA ConeJet® TG Full Cone Hose Shank
	QJ25607-9PP	1.45	
	CP114444-*-CE	1.30	Disc Core Seal CP18999-EPR Disc-Core (Insert Core into Seal)
	QJ26277-1	1.35	Ceramic Disc-Core D-Disc Core

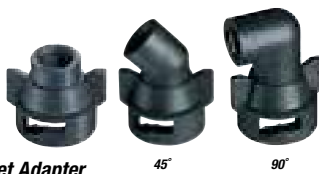
NOTE: Certain colours are non-stock. Cap CP114501-*-CE stocked in white, light blue, Telemagenta, and light green only.



Tip Gaskets

PART	DESCRIPTION	PRICE (B)
QJ19438EPR	Standard Gasket	.80
QJ18999EPR	Disc and Core Gasket*	1.65

Note: *Use with 4916 orifice



Quick-Jet Adapter

Permits use of standard 1/8" and 1/4" nozzles. Can be used for mounting pressure gauge at the nozzle.

- 1/4" NPT female.

PART	DESCRIPTION	PRICE (B)
QJ46761/4	With Gasket	3.60
QJ46761/4-45	45° - Without Gasket	6.85
QJ46761/4-90	90° - Without Gasket	6.85



Different cap configurations for shut-off function, right angle spray tip positioning, or split dual nozzle set-up.

PART	DESCRIPTION	PRICE (B)
114447-1-CELR	Black Cap w/ Gasket	3.45
QJ90	Double Outlet w/ Gasket	6.85
QJ90-1	90° Outlet w/ Gasket	6.85



Male Nozzle Bodies

PART	DESCRIPTION	PRICE (B)
1322	Brass 1/4"	3.60
1336	Brass 1/8"	3.60
8028NY	Nylon 1/4"	2.60



Poly Nozzle Strainers

PART	DESCRIPTION	PRICE (B)
8079-50	50M	1.90
8079-100	100M	1.90

Note: No check valve



Nylon Swivels

PART	DESCRIPTION	PRICE (B)
86001/4T	1/4" Female Inlet	13.50
86002	1/4" Female Inlet	16.30

Round Clamp Sub Assemblies

PART	DESCRIPTION	PRICE (B)
111-1/2	1/2"	7.05
111-3/4	3/4"	7.05
111-1	1"	7.05
111-11/4	1 1/4"	11.80



Female Nozzle Bodies

PART	DESCRIPTION	PRICE (B)
1321	Brass 1/4"	3.60
1335	Brass 1/8"	3.60
12094	Nylon 1/4"	2.50



4193A Series Check Valves

- 5 PSI Standard
- 10 PSI Optional

PART	DESCRIPTION	PRICE (B)
4193A24PP	Poly - 24 M	6.10
4193A50PP	Poly - 50 M	6.10
4193A100PP	Poly - 100 M	6.10
4193A200PP	Poly - 200 M	6.10
4193A50	Brass - 50 M	7.65
4193A100	Brass - 100 M	7.65
4193A200	Brass - 200 M	7.65



Brass Swivel Outlet

PART	DESCRIPTION	PRICE (B)
50001/4T	1/4" Female Inlet - Single Swivel	28.10
420221/4T	1/4" Female Inlet - Double Swivel	38.10

420221/4T - While Quantities Last

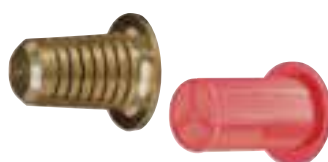
Square Clamp Sub Assemblies

PART	DESCRIPTION	PRICE (B)
111-SQ1	1"	8.10
111-SQ11/4	1 1/4"	12.20
111-SQ11/2	1 1/2"	14.50



Nozzle Cap 11/16" Threads

PART	DESCRIPTION	PRICE (B)
1325	Brass	2.20
8027NY-1	Nylon - Deep Cap	1.90
8027NY	Nylon	1.50



Slotted Strainers

PART	DESCRIPTION	PRICE (B)
19845-50	Poly - 50 Mesh	2.30
451410	Brass - 50 Mesh	2.15
451410NY	Nylon - 50 Mesh	2.00
451420	Brass - 25 Mesh	2.15
451432	Brass - 16 Mesh	2.15
451432NY	Nylon - 16 Mesh	2.00



Brass Tip Plug

PART	DESCRIPTION	PRICE (B)
3942	Brass Tip Plug	.75



Discs and Cores

Use discs with core for hollow cone spray.

PART	DESCRIPTION	PRICE (B)
D*VP	Poly Disc (Sizes 2-8)	1.55
D*SS	SS Disc (Sizes 2-12)	2.20
#*	Brass Core	4.15

Diaphragm Shut-Off

PART	DESCRIPTION	PRICE (B)
83601/4NY	1/4" Inlet, 1 1/16" Outlet	26.10



Female Nozzle Adapters

PART	DESCRIPTION	PRICE (B)
46761/4	Brass 1/4"	4.50
46761/8	Brass 1/8"	4.50
46761/4NY	Nylon 1/4"	3.70
46761/8NY	Nylon 1/8"	3.70



Standard End Cap Sub-Assembly

PART	DESCRIPTION	PRICE (B)
21950-10	Standard 10 PSI Sub Assembly	5.80

* Also available in 2, 8, 15 and 20 PSI



Brass Nozzle Strainers

PART	DESCRIPTION	PRICE (B)
505350	50M	4.55
5053100	100M	4.55

Note: No check valve



Nylon Hose Shanks

PART	DESCRIPTION	PRICE (B)
K8414	1/4"	.65
K8438	3/8"	.70
K8412	1/2"	.75

Note: Use with nozzle caps



Metering Orifice

PART	DESCRIPTION	PRICE (B)
4916-**	Stainless	4.70

For detailed information on Metering Orifices, please refer to our spray tip section at front of catalogue.

QJ Diaphragm EPDM

PART	DESCRIPTION	PRICE (B)
21953EPR	Fits QJ17560, QJ360, 836	.75
21953VI	Viton Diaphragm	2.30



QJ100 Series Nozzle Bodies – No Check Valve

PART	DESCRIPTION	PRICE (B)
QJ18635-3/8	3/8" Hose Barb – Elbow	6.15
QJ18638-1/2	1/2" Hose Barb – Elbow	6.15
QJ18719-3/4	3/4" Hose Barb – Elbow	6.15
QJ18636-3/8	3/8" Hose Barb – Tee	6.15
QJ18639-1/2	1/2" Hose Barb – Tee	6.15
QJ18720-3/4	3/4" Hose Barb – Tee	6.15
QJ18637-3/8	3/8" Hose Barb – Triple	6.15
QJ18640-1/2	1/2" Hose Barb – Triple	6.15
QJ18721-3/4	3/4" Hose Barb – Triple	6.15



QJ200 Series Nozzle Bodies w/ Check Valve

PART	DESCRIPTION	PRICE (B)
QJ19349-3/8	3/8" Hose Barb – Elbow	15.20
QJ19349-1/2	1/2" Hose Barb – Elbow	15.20
QJ19349-3/4	3/4" Hose Barb – Elbow	15.20
QJ19350-3/8	3/8" Hose Barb – Tee	15.20
QJ19350-1/2	1/2" Hose Barb – Tee	15.20
QJ19350-3/4	3/4" Hose Barb – Tee	15.20
QJ19351-3/8	3/8" Hose Barb – Triple	15.20
QJ19351-1/2	1/2" Hose Barb – Triple	15.20
QJ19351-3/4	3/4" Hose Barb – Triple	15.20



Push To Connect QJ Body & Cap w/ Check Valve

- Used with systems utilizing 1/4" semi-rigid low density poly tubing.
- Cap and body combination.
- 10 PSI (0.69 bar) check valve.
- Different configurations available; please call for more information.

PART	DESCRIPTION	PRICE (B)
QJ98595-1/4-10	Body / Cap combination	26.45



QJ222 Series Diaphragm Nozzle Bodies

PART	DESCRIPTION	PRICE (B)
QJ22251-311-3/8	3/8" Hose Barb – Elbow	12.55
QJ22251-311-1/2	1/2" Hose Barb – Elbow	12.55
QJ22251-311-3/4	3/4" Hose Barb – Elbow	12.55
QJ22252-312-3/8	3/8" Hose Barb – Tee	12.55
QJ22252-312-1/2	1/2" Hose Barb – Tee	12.55
QJ22252-312-3/4	3/4" Hose Barb – Elbow	12.55



Diaphragm Check Valve

PART	DESCRIPTION	PRICE (B)
QJ8360-1/4	1/4" Male NPT x QJ	7.70
QJT8360	11/16" Female Cap Thread x QJ	8.35



QJ Swivels

PART	DESCRIPTION	PRICE (B)
QJ86001/4NY	Single Swivel – 1/4" FNPT x QJ	11.20
QJ86002NY	Double Swivel – 1/4" FNPT x QJ	13.50



45° QJ Nozzle Body

PART	DESCRIPTION	PRICE (B)
QJ226741/4	1/4" Male NPT x QJ	4.40



Round Vari-Spacing Clamps

PART	DESCRIPTION	PRICE (B)
QJ111-1/2	1/2" Clamp	4.15
QJ111-3/4	3/4" Clamp	4.15
QJ111-1	1" Clamp	4.15
QJ111-11/4	1 1/4" Clamp	4.15

QJ Nozzle Bodies

PART	DESCRIPTION	PRICE (B)
QJ1/4T	1/4" Female NPT x QJ	4.30
QJ1/4TT	1/4" Male NPT x QJ	4.30



QJ Adapter

- Converts standard nozzle body to Quick TeeJet.
- Comes complete with gasket.

PART	DESCRIPTION	PRICE (B)
QJTNYB	11/16" Female Cap Thread x QJ	7.85



Square Vari-Spacing Boom Clamps

PART	DESCRIPTION	PRICE (B)
QJ111SQ-3/4	3/4" Clamp	4.15
QJ111SQ-1	1" Clamp	4.15
QJ111SQ-11/4	1 1/4" Clamp	4.15
QJ111SQ-11/2	1 1/2" Clamp	4.15
QJ111SQ-3/4SS	3/4" Clamp – Stainless*	9.10
QJ111SQ-1SS	1" Clamp – Stainless*	9.10
QJ111SQ-11/4SS	1 1/4" Clamp – Stainless*	9.10
QJ111SQ-11/2SS	1 1/2" Clamp – Stainless*	9.10



Round High Clearance 3/4" Vari-Spacing Clamp

PART	DESCRIPTION	PRICE (B)
QJ111HP3/4	3/4" Clamp – High Clearance	15.85

*NOTE: Stainless Steel clamps are special order.



QJ 360 Series Dry Boom Nozzle Bodies
 • Dry boom to fit 1/2", 3/4", or 1" ID hose.

PART	DESCRIPTION	PRICE (B)
Three Nozzle Series		
QJ363-1/2-1-NYB	1/2" Elbow – 3 Nozzle	26.95
QJ363-1/2-2-NYB	1/2" Tee – 3 Nozzle	27.65
QJ363-3/4-1-NYB	3/4" Elbow – 3 Nozzle	26.95
QJ363-3/4-2-NYB	3/4" Tee – 3 Nozzle	27.65
QJ363-1-1-NYB	1" Elbow – 3 Nozzle	26.95
QJ363-1-2-NYB	1" Tee – 3 Nozzle	27.65
Five Nozzle Series		
QJ365-1/2-1-NYB	1/2" Elbow – 5 Nozzle	26.95
QJ365-1/2-2-NYB	1/2" Tee – 5 Nozzle	27.65
QJ365-3/4-1-NYB	3/4" Elbow – 5 Nozzle	26.95
QJ365-3/4-2-NYB	3/4" Tee – 5 Nozzle	27.65
QJ365-1-1-NYB	1" Elbow – 5 Nozzle	26.95
QJ365-1-2-NYB	1" Tee – 5 Nozzle	27.65



QJ 370 Series Compact Dry Boom Compact Nozzle Bodies
 • New compact, high flow body style.
 • Dry boom to fit 1/2", 3/4" or 1" ID hose.

PART	DESCRIPTION	PRICE (B)
Three Nozzle Series		
QJ373-500-1NYB	1/2" Elbow – 3 Nozzle	25.15
QJ373-500-2NYB	1/2" Tee – 3 Nozzle	25.85
QJ373-750-1NYB	3/4" Elbow – 3 Nozzle	25.15
QJ373-750-2NYB	3/4" Tee – 3 Nozzle	25.85
QJ373-1000-1NYB	1" Elbow – 3 Nozzle	25.15
QJ373-1000-2NYB	1" Tee – 3 Nozzle	25.85
Five Nozzle Series		
QJ375-500-1NYB	1/2" Elbow – 5 Nozzle	25.15
QJ375-500-2NYB	1/2" Tee – 5 Nozzle	25.85
QJ375-750-1NYB	3/4" Elbow – 5 Nozzle	25.15
QJ375-750-2NYB	3/4" Tee – 5 Nozzle	25.85
QJ375-1000-1NYB	1" Elbow – 5 Nozzle	25.15
QJ375-1000-2NYB	1" Tee – 5 Nozzle	25.85



Sample image only; final product configuration may vary.

QJS Series Multiple Outlet Nozzle Bodies

The QJS nozzle body utilizes a modular design that allows for highly customized solutions to best fit your sprayer and spraying application needs. Choose the boom size, inlet position, outlet arrangement and tip shutoff mechanism that works best.

- Multiple-outlet, stackable nozzle body is ideal for mounted, trailed and self-propelled sprayers.
- Wet boom configuration offered with choice of bottom or side inlet in five different boom diameters (1/2", 3/4", 1", 20mm and 25mm); dry boom version also available in three sizes (1/2", 3/4", 1"). Wetted parts are nylon and Viton.
- Can be equipped with any combination of TeeJet ChemSaver® tip shutoffs including pneumatic, electric, manual or spring-loaded check valve.
- Choose from one to four outlets in a variety of configurations. **CALL US FOR ORDERING OPTIONS!**



QJ 360 Series Wet Boom Nozzle Bodies
 • Wet boom to fit 3/4" or 1" pipe.

PART	DESCRIPTION	PRICE (B)
QJ363-3/4	3/4" – 3 Nozzle	23.15
QJ363-1	1" – 3 Nozzle	23.15
QJ364-3/4	3/4" – 4 Nozzle	23.15
QJ364-1	1" – 4 Nozzle	23.15
QJ365-3/4	3/4" – 5 Nozzle	23.15
QJ365-1	1" – 5 Nozzle	23.15



QJ 370 Series Compact Wet Boom Nozzle Bodies
 • New compact, high flow body style.
 • Wet boom to fit 3/4" or 1" pipe.

PART	DESCRIPTION	PRICE (B)
QJ373-3/4-NYB	3/4" – 3 Nozzle	21.35
QJ373-1-NYB	1" – 3 Nozzle	21.35
QJ375-3/4-NYB	3/4" – 5 Nozzle	21.35
QJ375-1-NYB	1" – 5 Nozzle	21.35



QJ17560 Series Nozzle Bodies w/ Check Valve

- Requires 10 PSI to open check valve, 300 PSI max.
- EPDM diaphragm.
- 1/2" and 3/4" include hole in upper clamp for mounting to flat surfaces (drill 3/8" hole to mount).

PART	DESCRIPTION	PRICE (B)
QJ17560-1/2	1/2" Boom Nozzle Body	6.70
QJ17560-3/4	3/4" Boom Nozzle Body	6.70
QJ17560-1	1" Boom Nozzle Body	6.70



Triple Nozzle Wet Boom Bodies

PART	DESCRIPTION	PRICE (B)
QJ24216-1/2	1/2" Boom Triple Nozzle	31.75
QJ24216-3/4	3/4" Boom Triple Nozzle	31.75
QJ24216-1	1" Boom Triple Nozzle	31.75



Triple Nozzle Dry Boom Bodies w/ Check Valve

PART	DESCRIPTION	PRICE (B)
QJ242302-1/2	1/2" Hose Barb – Tee	32.60
QJ242302-3/4	3/4" Hose Barb – Tee	32.60
QJ242301-1/2	1/2" Hose Barb - Elbow	32.60
QJ242301-3/4	3/4" Hose Barb - Elbow	32.60



QJ7421 Series Nozzle Bodies – No Check Valve

PART	DESCRIPTION	PRICE (B)
QJ7421-1/2	1/2" Boom Nozzle Body	6.70
QJ7421-3/4	3/4" Boom Nozzle Body	6.70
QJ7421-1	1" Boom Nozzle Body	6.70



40510-00 / 40511-00



40193-00 / 40194-00



40516-00 / 40517-00



40195-00 / 40196-00



40526-00 / 40527-00



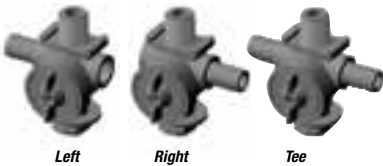
40197-00 / 40198-00

Single Outlet Nozzle Wet Boom Body – Radiallock		
PART	DESCRIPTION	PRICE(B)
40510-00	3/4" Wet Boom Single Radiallock	6.05
40511-00	1" Wet Boom Single Radiallock	6.05
Single Outlet Nozzle Wet Boom Body – Square Lug		
PART	DESCRIPTION	PRICE(B)
40193-00	3/4" Wet Boom Single Square Lug	6.05
40194-00	1" Wet Boom Single Square Lug	6.05

Double Outlet Nozzle Wet Boom Body – Radiallock		
PART	DESCRIPTION	PRICE(B)
40516-00	3/4" Wet Boom Double Radiallock	15.55
40517-00	1" Wet Boom Double Radiallock	15.55
Double Outlet Nozzle Wet Boom Body – Square Lug		
PART	DESCRIPTION	PRICE(B)
40195-00	3/4" Wet Boom Double Square Lug	15.55
40196-00	1" Wet Boom Double Square Lug	15.55

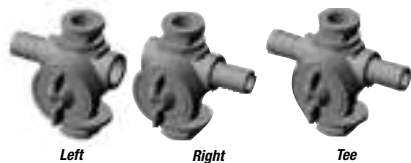
Triple Outlet Nozzle Wet Boom Body – Radiallock		
PART	DESCRIPTION	PRICE(B)
40526-00	3/4" Wet Boom Triple Radiallock	19.10
40527-00	1" Wet Boom Triple Radiallock	19.10
Triple Outlet Nozzle Wet Boom Body – Square Lug		
PART	DESCRIPTION	PRICE(B)
40197-00	3/4" Wet Boom Triple Square Lug	19.10
40198-00	1" Wet Boom Triple Square Lug	19.10

PLEASE NOTE: The above Combo-Jet® wet boom nozzle bodies feature the new hinged clamp for easier installation. The original two-piece style Combo-Jet® nozzle bodies are still available by SPECIAL ORDER ONLY. Please contact our office for pricing and availability.



Compact Diaphragm Bodies

PART	DESCRIPTION	PRICE (B)
40360-00	Left Body 11/16" Thread x 3/8" Hose	9.15
40365-00	Left Body 11/16" Thread x 1/2" Hose	9.15
40370-00	Left Body 11/16" Thread x 3/4" Hose	9.15
40361-00	Right Body 11/16" Thread x 3/8" Hose	9.15
40366-00	Right Body 11/16" Thread x 1/2" Hose	9.15
40371-00	Right Body 11/16" Thread x 3/4" Hose	9.15
40362-00	Tee Body 11/16" Thread x 3/8" Hose	9.15
40367-00	Tee Body 11/16" Thread x 1/2" Hose	9.15
40372-00	Tee Body 11/16" Thread x 3/4" Hose	9.15
LOCKNUT	11/16" Poly Lock Nut	.75



Compact Diaphragm Body For Dry Boom

PART	DESCRIPTION	PRICE (B)
40380-00	Left Body 3/8" Hose	9.15
40385-00	Left Body 1/2" Hose	9.15
40390-00	Left Body 3/4" Hose	9.15
40381-00	Right Body 3/8" Hose	9.15
40386-00	Right Body 1/2" Hose	9.15
40391-00	Right Body 3/4" Hose	9.15
40382-00	Tee Body 3/8" Hose	9.15
40387-00	Tee Body 1/2" Hose	9.15
40392-00	Tee Body 3/4" Hose	9.15
40155-07	Fairprene Diaphragm Only	1.00



Molded Diaphragm w/ O-ring Seat

- One-piece diaphragm is self-seating in check valve O-ring groove. FKM material – may be black or red.

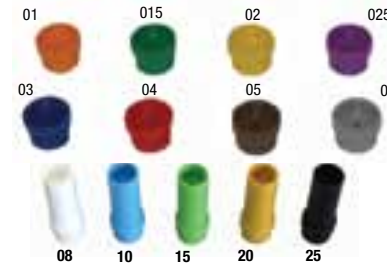
PART	DESCRIPTION	PRICE (B)
40155-23	Diaphragm / O-ring Combo	3.90



Fertilizer Caps

- If used with pre-orifice (40285-**) use universal seal 40260-00.
- If used less pre-orifice use universal adapter 40261-00 and 40260-00 seal.

PART	DESCRIPTION	PRICE (B)
40420-05	1/8" Hose Barb	1.50
40422-05	1/4" Hose Barb	1.50
40424-05	3/8" Hose Barb	1.50
40426-05	1/2" Hose Barb	1.50
40260-00	O-Ring Seal	.30
40261-00	Adapter (if required)	.45



Pre-Orifice

PART	SIZE	DESCRIPTION	PRICE(B)
40285-005	005	Black Orifice	7.75
40285-007	007	Pink Orifice	7.75
40285-01	01	Orange Orifice	5.85
40285-015	015	Green Orifice	5.85
40285-02	02	Yellow Orifice	5.85
40285-025	025	Purple Orifice	5.85
40285-03	03	Blue Orifice	5.85
40285-04	04	Red Orifice	5.85
40285-05	05	Brown Orifice	5.85
40285-06	06	Grey Orifice	5.85
40285-08	08	White Orifice – long	5.85
40285-08S	08	White Orifice – short	5.85
40285-10	10	Light Blue Orifice – long	5.85
40285-10S	10	Light Blue Orifice – short	5.85
40285-125	12.5	Teal Orifice – long	5.85
40285-13S	12.5	Teal Orifice – short	5.85
40285-15	15	Light Green Orifice	5.85
40285-20	20	Tan Orifice	5.85
40285-25	25	Black Orifice	5.85



Radiallock Caps

PART	DESCRIPTION	PRICE (B)
40269-01	Universal Slot - Red	1.00
40269-02	Universal Slot - White	1.00
40269-03	Universal Slot - Green	1.00
40269-04	Universal Slot - Yellow	1.00
40276-01	Universal Slot - AI Tips	1.10
40276-02	Universal Slot - AI Tips	1.10
40276-03	Universal Slot - AI Tips	1.10
40276-04	Universal Slot - AI Tips	1.10
40271-01	Universal Round - Red	1.10
40271-02	Universal Round - White	1.10
40271-03	Universal Round - Green	1.10
40271-04	Universal Round - Yellow	1.10
40273-02	1/4" NPT Outlet	1.40
40274-04	Yellow - 1/4" NPT 45° Outlet	3.20
40272-01	Plug - Red	1.10
40272-03	Plug - Green	1.10
40272-04	Plug - Yellow	1.10



Adapters c/w Seal

- Easily converts Quick-Jet bodies to Combo-Jet or Combo-Jet to Quick-Jet bodies. Includes O-ring

PART	DESCRIPTION	PRICE (B)
40200-00	Adapter, TeeJet to Combo-Jet	2.55
40203-00	Adapter, Combo-Jet to TeeJet	2.55
40204-00	Adapter, TeeJet to Combo-Jet	2.45

NOTE: Part # 40204-00 is a new, easy-to-use twist on/off design. Original 40200-00 (not shown) snaps onto body.



Combo-Rate Diaphragm Shut-Off

PART	DESCRIPTION	PRICE (B)
41100-00	Thru Body Diaphragm Shut-Off	9.70
41101-00	End Body Diaphragm Shut-Off	8.80
41200	1" Saddle Clamp for 3/8" Hole in Boom Pipe	6.70
41201-00	1" Saddle Clamp for 9/16" Hole in Boom Pipe	6.70
41206-00	2" Tube Saddle for 9/16" Hole in Boom Pipe	7.75
41131-00	End Body Relief Valve	18.40
41130-00	Thru Body Relief Valve (not shown)	19.70



Combo-Rate Manual On/Off

PART	DESCRIPTION	PRICE (B)
41110-00	Thru Body Manual On/Off	11.05
41110-01	Shut-Off Replacement Assembly	4.70
41111-00	End Body Manual On/Off	10.25
41200	1" Saddle Clamp for 3/8" Hole in Boom Pipe	6.70
41201-00	1" Saddle Clamp for 9/16" Hole in Boom Pipe	6.70
41206-00	2" Tube Saddle for 9/16" Hole in Boom Pipe	7.75



Capstan System

PART	DESCRIPTION	PRICE (B)
41135	Thru Body Capstan Without Nut	4.40
41136	End Body Capstan Without Nut	3.30
41150	Interbody Filter - 50 Mesh (Red)	2.45
41151	Interbody Filter - 100 Mesh (Green)	2.45
41152	Interbody Filter - 80 Mesh (Grey)	2.45



Accessories

PART	DESCRIPTION	PRICE (B)
41250-00	Diaphragm 90° Elbow	6.60
41251	1/4" NPT Adapter	4.60
41252-00	1/4" NPT Male Adapter	2.65
41253	3/8" NPT Male Adapter	2.65
41255-00	1/4" NPT Female Adapter	3.85
41256	3/8" NPT Female Adapter	3.85



Kwik Stop Nozzle Bodies

PART	DESCRIPTION	PRICE (B)
40116-00	Single Body Kwik Stop TeeJet Outlet	8.40
40117-00	Double Body Kwik Stop TeeJet Outlet	21.65
40118-00	Triple Body Kwik Stop TeeJet Outlet	26.65
40258-00	Double Body Kwik Stop Combo-Jet Outlet	21.65
40259-00	Single Body Kwik Stop Combo-Jet Outlet	8.40
40268-00	Triple Body Kwik Stop Combo-Jet Outlet	26.65



COMBO-RATE II Fluid Bottom / Top Take-Off Saddles

COMBO-RATE II series saddles have a universal mount that allows them to be mounted with the fluid take-off stem at the bottom of the boom pipe. This allows them to be utilized for both new and retro-fit applications.

- Can also be mounted with fluid take-off on top of boom to reduce nozzle run-on caused by trapped air.
- Available with one or two COMBO-CLIP outlets
- Bolt-Mount style available by special order; please inquire.

PART	DESCRIPTION	PRICE (B)
41371-00	One-Way Standard 1/2" Pipe x 3/8" Inlet	6.75
41372-00	Two-Way Standard 1/2" Pipe x 3/8" Inlet	8.50
41375-00	One-Way Standard 1" Pipe x 3/8" Inlet	6.75
41376-00	Two-Way Standard 1" Pipe x 3/8" Inlet	8.50
41377-00	One-Way Standard 1" Pipe x 9/16" Inlet	6.75
41378-00	Two-Way Standard 1" Pipe x 9/16" Inlet	8.50



COMBO-RATE II SADDLES with Integrated Nozzle Bodies

- Available with one or two COMBO-CLIP outlets.
- Nozzle is directly below boom; additional nozzles outset 2" either side.
- Compact, quick to mount, and economical.
- Bolt-Mount style available by special order; please inquire.

Model	Standard (B)		
	Diaph. Check Valve	Manual On /Off	Blended Pulse
1/2" One-Way	41311-00 15.80	41313-00 17.50	41317-00 10.60
1/2" Two-Way	41312-00 17.55	41314-00 19.25	41318-00 12.30
1" One-Way 3/8" Inlet	41331-00 15.80	41333-00 17.50	41337-00 10.60
1" Two-Way 3/8" Inlet	41332-00 17.55	41334-00 19.25	41338-00 12.30
1" One-Way 9/16" Inlet	41341-00 15.80	41343-00 17.50	41347-00 10.60
1" Two-Way 9/16" Inlet	41342-00 17.55	41344-00 19.25	41348-00 12.30
1" One-Way KWIKSTOP	41351-00 17.55	41353-00 19.25	41357-00 11.75
1" Two-Way KWIKSTOP	41352-00 19.50	41354-00 21.35	41358-00 13.70



Combo-Rate® II Side Take-Off Turrets

This innovative Combo-Rate® turret has been designed to improve flexibility when installed on any Combo-Rate nozzle body. Stocked in 3-Outlet and 5-Outlet configurations, also available by special order in 2-Outlet and 4-Outlet configurations.

- More compact than ever.
- Less weight leveraged off the boom pipe.
- Extra prevention of snagged components on boom.
- Reversible design adapts to interference with boom structure and fittings.
- Reversible to LEFT / RIGHT version in seconds.
- Compatible with any Combo-Rate Nozzle Bodies.
- Ideal for Pulse Width Modulation (PWM) sprayers and tight boom layouts.

PART	DESCRIPTION	PRICE (B)
Combo-Rate II Diaphragm Check Valve Configuration		
41603-00	3-Outlet Side Turret Body w/ Diaphragm Check Valve	22.55
41605-00	5-Outlet Side Turret Body w/ Diaphragm Check Valve	22.55
Combo-Rate II Manual ON / OFF Configuration		
41613-00	3-Outlet Side Turret Body w/ Diaphragm Check – Manual ON/OFF	24.00
41615-00	5-Outlet Side Turret Body w/ Diaphragm Check – Manual ON/OFF	24.00
Combo-Rate II Pulse Width Modulation (w/o nut) Configuration**		
41633-00	3-Outlet Side Turret Body – without Nut	17.45
41635-00	5-Outlet Side Turret Body – without Nut	17.45

** PWM bodies/turrets do not include a body nut. A control module or PWM solenoid is required.



41615-00 shown
Spray Tips sold separately



41464-00 shown (with stacked Turret, End Body, and Nozzles)

Super High-Flow Combo-Rate II (CRII) Nozzle Bodies

Designed for sprayers that are applying high rates of liquid fertilizer or chemical, Combo-Rate II high flow nozzle bodies will not leave you missing out.

- 21/32" Inlet can produce up to 45% more flow.
- Spray nearly 60 US Gallons per Acre @ 15 MPH with a single outlet (and more if stacked!)
- Left / Right Reversible.
- Use with any Combo-Rate fittings.
- Stacking body for PWM + Non-PWM spraying.
- Slotted inlet drains debris.

DIFFERENT CONFIGURATIONS AVAILABLE;
Please inquire with our office for more information and pricing.



41505-00 shown



41515-00 shown

Combo-Jet Turret Nozzle Bodies

PART	DESCRIPTION	PRICE (B)
41502-00	Turret Body – 2 Outlet	19.35
41503-00	Turret Body – 3 Outlet	19.35
41504-00	Turret Body – 4 Outlet	19.35
41505-00	Turret Body – 5 Outlet	19.35

Combo-Jet Turret Nozzle Bodies w/ Manual ON/OFF

PART	DESCRIPTION	PRICE (B)
41512-00	Turret Body – 2 Outlet w/ ON/OFF	20.75
41513-00	Turret Body – 3 Outlet w/ ON/OFF	20.75
41514-00	Turret Body – 4 Outlet w/ ON/OFF	20.75
41515-00	Turret Body – 5 Outlet w/ ON/OFF	20.75



41535-00 shown



41110-01

41200 / 41201

Combo-Jet Turret Nozzle Bodies – Less Nut

PART	DESCRIPTION	PRICE (B)
41532-00	Turret Body – 2 Outlet less net	14.45
41533-00	Turret Body – 3 Outlet less net	14.45
41534-00	Turret Body – 4 Outlet less net	14.45
41535-00	Turret Body – 5 Outlet less net	14.45

Combo-Jet Turret Nozzle Body Accessories

PART	DESCRIPTION	PRICE (B)
41200	1" Saddle Clamp – 3/8" boom hole	6.70
41201	1" Saddle Clamp – 9/16" boom hole	6.70
41110-01	Manual Shut-Off Assembly – less diaphragm	4.70



Shown with 40256-00 Body

Twin Cap Adapter

PART	DESCRIPTION	PRICE (B)
40440-00	Adapter (shown w/ body)	5.05



40470

40471

Conversion Adapters

PART	DESCRIPTION	PRICE (B)
40470-00	Dual Adapter	10.70
40471-00	Triple Adapter	14.70

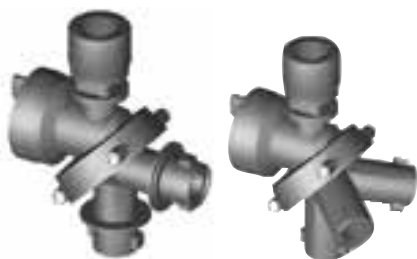


40473

40472

Conversion Adapters (To TeeJet)

PART	DESCRIPTION	PRICE (B)
40472-00	Dual Adapter Combo-Jet to TeeJet	10.70
40473-00	Triple Adapter Combo-Jet to TeeJet	14.70



40152-00 40153-00

Combo-Jet Dry TeeJet Dry Boom Nozzle Bodies

PART	DESCRIPTION	PRICE (B)
40152-00	Double Outlet, 3/8" NPTF	17.60
40153-00	Triple Outlet, 3/8" NPTF	22.15



40352-00 40353-00

Combo-Jet Dry Boom Nozzle Bodies

PART	DESCRIPTION	PRICE (B)
40352-00	Single Outlet, 3/8" NPTF	9.50
40353-00	Double Outlet, 3/8" NPTF	17.60



Combo-Jet Boom Nozzle Bodies

PART	DESCRIPTION	PRICE (B)
40354-00	Triple Outlet, 3/8" NPTF	22.15

* Note: Bodies use TeeJet-style cap



Dry Boom Elbows

PART	DESCRIPTION	PRICE (B)
40301-00	3/8" NPTM x 3/8" Hose	2.25
40306-00	3/8" NPTM x 1/2" Hose	2.25
40311-00	3/8" NPTM x 3/4" Hose	2.25



Dry Boom Tees

PART	DESCRIPTION	PRICE (B)
40302-00	3/8" NPTM x 3/8" Hose	2.25
40307-00	3/8" NPTM x 1/2" Hose	2.25
40312-00	3/8" NPTM x 3/4" Hose	2.25



Dry Boom Triple

PART	DESCRIPTION	PRICE (B)
40313-00	3/8" NPTM x 3/4" Hose (3/8" and 1/2" N/A)	3.00



Caps (Fits TeeJet)

PART	DESCRIPTION	PRICE (B)
40159-01	Red Cap Fits TeeJet	.85
40159-02	White Cap Fits TeeJet	.85
40159-03	Green Cap Fits TeeJet	.85
40159-04	Yellow Cap Fits TeeJet	.85



Tip Strainers

PART	DESCRIPTION	PRICE (B)
40150-00	50M	1.15
40151-00	100M	1.15



Seals

PART	DESCRIPTION	PRICE (B)
40160-00	EPDM Gasket for Cap	.65

Boom End Flush Valve

- Special compact design fits most existing boom constructions.
- Large internal diameter to maximize flow and minimize residue build-up.
- Quick and easy installation.
- Chemical and UV resistant material.
- Two versions: TWS (CNH) and 1 1/4" QN SST.
- TWS version fits CNH Patriot sprayers w/ TWS fittings and mates to 41400-00 tube end adapter. #25160-02 Viton O-ring required.
- 1 1/4" QN SST version fits Wilger Quick-Nut SS tube fittings and mates to 25171-00 boom end adapter. Can also be retrofitted using O-ring to any 1 1/4" NPT male thread. #41210-03 O-ring required.



Boom Flush Valve Adapter Kit

- Fits 41402-VO for Case/IH.
- TWS x 1" FNPT.
- Includes Adapter and Viton O-ring.
- O-ring also available separately.

Boom Flush Valve Adapter Kit

- Fits 25175-VO Boom Flush Nozzle
- 1 1/4" x 1" FNPT.
- Includes Adapter and Viton O-ring.
- O-ring also sold separately.

PART	DESCRIPTION	PRICE (B)
41402-VO	Boom End Flush Valve – TWS style	28.20
25160-02	O-ring for 41402-VO (required)	.75
25175-VO	Boom End Flush Valve – QN SST style	28.20
41210-03	O-ring for 25175-VO (required)	.75

PART	DESCRIPTION	PRICE (B)
41403-VO	TWS x 1" FNPT	5.55
41210-V3	O-ring (Viton)	2.15

PART	DESCRIPTION	PRICE (B)
25137-VO	1 1/4" x 1" FNPT	5.55
41210-V3	O-ring (Viton)	2.15

Hypro PROFLO Nozzle Bodies

- Designed to deliver the highest flow rates across the spraying pressure range.
- Bayonet style attachment allows for automatic spray alignment using flat fan spray tips.
- Compact design makes mounting easier with less potential interference with the spray boom structure.
- ProFlo nozzle bodies come standard with an 8 PSI Diaphragm Check Valve.
- EPDM Seal is standard.
- Available in wet or dry boom versions.



PROFLO Single Nozzle Body for Wet Boom

- EPDM Seal in Check Valve Assembly

PART	SIZE	PRICE (€)
4221N-B123	3/4" Boom pipe	8.70
4221N-B124	1" Boom pipe	13.10

PROFLO Triple Nozzle Body for Wet Boom

- EPDM Seal in Check Valve Assembly

PART	SIZE	PRICE (€)
4222N-B323	3/4" Boom pipe body	26.70
4222N-B324	1" Boom pipe body	27.40



PROFLO Hose Barb Dry Boom Nozzle Bodies w/ Diaphragm Check Valve

PART	DESCRIPTION	PRICE (€)
4241N-B121S	Single Hose Barb Dry Boom Nozzle Body – 3/8" hose barb	12.80
4241N-B122S	Single Hose Barb Dry Boom Nozzle Body – 1/2" hose barb	12.80
4241N-B123S	Single Hose Barb Dry Boom Nozzle Body – 3/4" hose barb	12.80
4241N-B121D	Double Hose Barb Dry Boom Nozzle Body – 3/8" hose barb	12.80
4241N-B122D	Double Hose Barb Dry Boom Nozzle Body – 1/2" hose barb	12.80
4241N-B123D	Double Hose Barb Dry Boom Nozzle Body – 3/4" hose barb	12.80
4241N-B121T	Triple Hose Barb Dry Boom Nozzle Body – 3/8" hose barb	12.80
4241N-B122T	Triple Hose Barb Dry Boom Nozzle Body – 1/2" hose barb	12.80
4241N-B123T	Triple Hose Barb Dry Boom Nozzle Body – 3/4" hose barb	12.80

PROFLO Hose Barb Triple Nozzle Bodies w/ Diaphragm Check Valve

PART	DESCRIPTION	PRICE (€)
4242N-B322S	Single Hose Barb Triple Nozzle Body – 1/2" hose barb	27.00
4242N-B323S	Single Hose Barb Triple Nozzle Body – 3/4" hose barb	26.05
4242N-B322D	Double Hose Barb Triple Nozzle Body – 1/2" hose barb	26.05
4242N-B323D	Double Hose Barb Triple Nozzle Body – 3/4" hose barb	26.30



PROFLO Hose Barb Dry Boom Nozzle Bodies w/ Top-Mounted Diaphragm Check Valve

PART	DESCRIPTION	PRICE (€)
4240N-B122S	Single Hose Barb Dry Boom Nozzle Body – 1/2" hose barb	10.60
4240N-B123S	Single Hose Barb Dry Boom Nozzle Body – 3/4" hose barb	10.60
4240N-B121D	Double Hose Barb Dry Boom Nozzle Body – 3/8" hose barb	10.60
4240N-B122D	Double Hose Barb Dry Boom Nozzle Body – 1/2" hose barb	10.60
4240N-B123D	Double Hose Barb Dry Boom Nozzle Body – 3/4" hose barb	10.60

HYPRO®

ProFlo

Three turret styles:
Single, 3-Way, 5-Way

Highest flow rates in the industry:
27.5 lpm @ 2.75 bar
7 gpm @ 40 PSI



The Hypro® ProFlo™ nozzle bodies have been designed to deliver the highest flow rates in the industry across a wide spraying pressure range.

- Unique diaphragm check valve design reduces restrictions in the flow path, enabling 2.6 GPM with a 5 PSI pressure drop through the nozzle.
- Positive shut-off between each spray position.
- Bayonet style attachment allows for automatic spray alignment using flat fan spray tips.
- Compact design makes mounting easier with less potential interference with the spray boom structure.
- ProFlo nozzle bodies come standard with an 8 PSI diaphragm check valve. 4 PSI, 12 PSI, 20 PSI, and 25 PSI by special order.



Shown with Dry Boom Adapter Installed. Sold Separately.

3-Way ProFlo Turret Bodies w/ Dry Boom Clamp Tab

- 8 PSI Check Valve

PART	DESCRIPTION	PRICE (€)
4243N-B322	3 Outlet Body for 1/2" Pipe	22.20
4243N-B323	3 Outlet Body for 3/4" Pipe	20.30
4243N-B324	3 Outlet Body for 1" Pipe	20.30
4200-0004E	EPDM Diaphragm	1.40

5-Way ProFlo Turret Bodies w/ Dry Boom Clamp Tab

- 8 PSI check valve

PART	DESCRIPTION	PRICE (€)
4243N-B522	5 Outlet Body for 1/2" Pipe	21.95
4243N-B523	5 Outlet Body for 3/4" Pipe	20.30
4243N-B524	5 Outlet Body for 1" Pipe	25.60
4200-0004E	EPDM Diaphragm	1.40

Dry Boom Adapters

PART	DESCRIPTION	PRICE (€)
4200-0112N	3/4" Hose Elbow for 3/4" Body	2.15
4200-0114N	3/4" Hose Elbow for 1" Body	2.15
4200-0113N	1" Hose Elbow for 3/4" Body	2.15
4200-0115N	1" Hose Elbow for 1" Body	2.15

Dry Boom Adapters

PART	DESCRIPTION	PRICE (€)
4200-0212N	3/4" Tee for 3/4" Pipe	2.15
4200-0214N	3/4" Tee for 1" Pipe	2.15
4200-0213N	1" Tee for 3/4" Pipe	2.15
4200-0215N	1" Tee for 1" Pipe	2.15



Tank Agitator

PART	DESCRIPTION	PRICE (€)
3371-0019	3/4" Tank Agitator	10.70



Boom Pipe

PART	DESCRIPTION	PRICE (€)
AL34	3/4" Aluminum	CALL
AL1	1" Aluminum	CALL
PVC12	1/2" PVC	CALL
PVC34	3/4" PVC	CALL
PVC1	1" PVC	CALL
CUT	Labour to Cut Pipe	2.00(κ)
THREAD	Labour to Thread Pipe	5.00(κ)
HOLE	Labour to Drill Hole	1.00(κ)



Hypro Strainer

- Female NPT connection
- PVC suction strainer
- Call for mesh sizes not shown here

PART	DESCRIPTION	PRICE (€)
11101	3/8" FNPT 80M	11.35
10436	3/4" FNPT 80M	14.90
10442	1" FNPT 20M	23.20

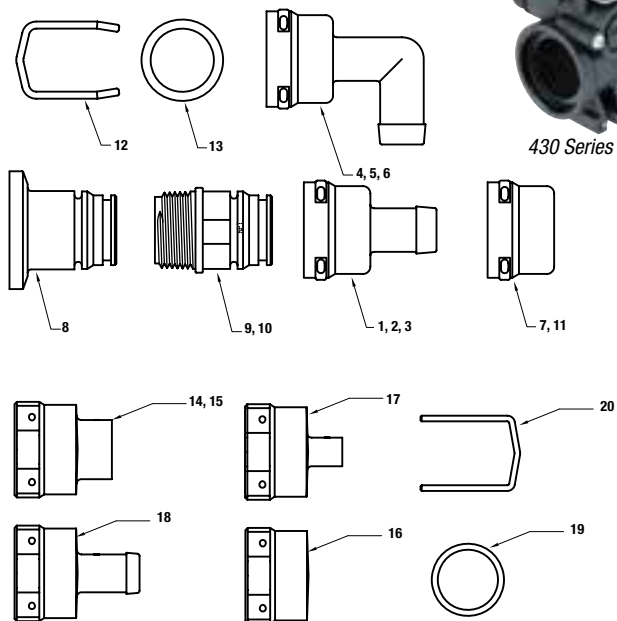
TeeJet 430 Series Ball Valves

New Platform of Compact, Durable Valves Offering Superior Performance

- All metal gears provide long wear life
 - Stainless Steel Stem and ball resist corrosion
- How To Order:
- Choose manifold size required (from 1 to 5 valves) as listed.
 - Select the required fittings as shown below.



430 Series Valve



430 Series Valves

PART	DESCRIPTION	PRICE (B)
431EC-2-D	1 Valve Manifold – 2-Way, 0.6 second shut-off	350.80
432EC-2-D	2 Valve Manifold – 2-Way, 0.6 second shut-off	637.10
433EC-2-D	3 Valve Manifold – 2-Way, 0.6 second shut-off	901.60
434EC-2-D	4 Valve Manifold – 2-Way, 0.6 second shut-off	1234.70
435EC-2-D	5 Valve Manifold – 2-Way, 0.6 second shut-off	1543.35
58480EC-05	MINI-DIN Cable, 3-Wire, Flying Leads, 20"	24.50

NOTE: "EC" = SPST Switch; "D" = Positively Switched

Quick Connect Hose Barb Fitting and Adapter Kits

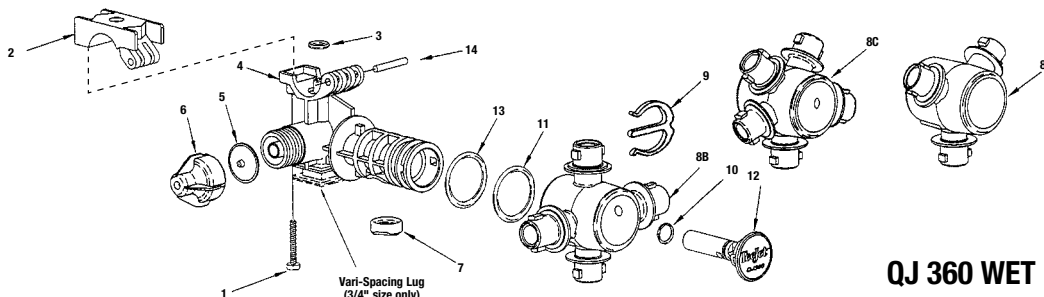
REF	PART	DESCRIPTION	PRICE (B)
1	45529-1/2	½" Quick Connect Kit (c/w ref 12, 13)	3.70
2	45529-3/4	¾" Quick Connect Kit (c/w ref 12, 13)	3.70
3	45529-1	1" Quick Connect Kit (c/w ref 12, 13)	3.70
4	45529-90-1/2	½" 90° Quick Connect Kit (c/w ref 12, 13)	3.70
5	45529-90-3/4	¾" 90° Quick Connect Kit (c/w ref 12, 13)	3.70
6	45529-90-1	1" 90° Quick Connect Kit (c/w ref 12, 13)	3.70
7	45529C	Quick Connect Cap Kit (c/w ref 12, 13)	3.70
8	46029PP	Adapter, 50-Series Flange x Male QC	7.75
9	45527NY	Adapter, ¾" MNPT x Male QC	9.00
10	45526NY	Adapter, 1" MNPT x Male QC	9.00
11	55243NY	Cap ONLY, Nylon (Black)	8.25
12	37166302SS	Retaining Clip, 302 SS	3.80
13	7717-3-912VI	O-Ring, Viton	8.75

NOTE: "45529" Series also available in 5/8" Hose Barb; Please Call.

Large Quick Coupler Hose Barb, Gauge Port, Fitting, and Adapter Kits

REF	PART	DESCRIPTION	PRICE (B)
14	58456-3/4	¾" FNPT Quick Connect Kit	26.45
15	58456-1	1" FNPT Quick Connect Kit	26.45
16	58456-C	Large Quick Connect Cap Kit	26.45
17	58456-1/4	¼" NPT Gauge Port Large QC Kit	26.45
18	58456-1000	1" Large QC Straight Hose Barb Kit	26.45
19	7717-M40X4VI	O-Ring, Viton (included in above kits)	2.95
20	58439-302SS	Retaining Clip, SS (included in above kits)	3.40

NOTE: "58456" Series also available in 1 ¼" and 1 ½" FNPT and 1 ¼", 1 ½", and 2" Hose Barb; Please Call.



QJ 360 WET

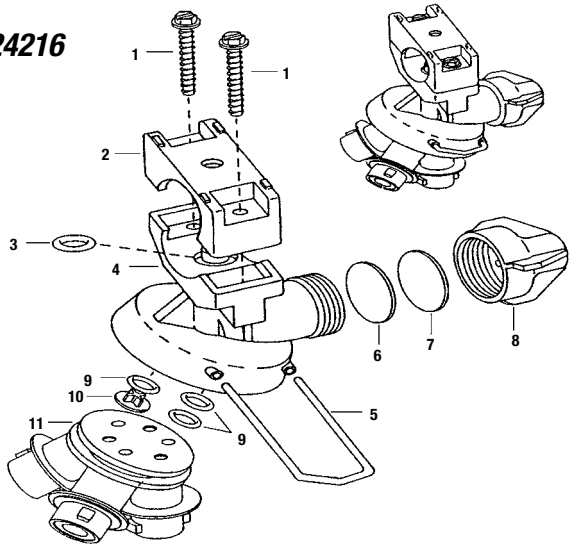
REF	PART	DESCRIPTION	PRICE (B)
1	48255-11/4	Screw, 430 SS	5.25
2	48223NYB	½" Upper Clamp	2.80
2	48221NYB	¾" Upper Clamp	2.80
2	48222NYB	1" Upper Clamp	2.80
3	7717-2/110BU	O-Ring, Buna-N	1.05
3	7717-2/110VI	O-Ring, Viton (optional)	1.55
4	389422NYB	½" Split-Eyelet Body	7.85
4	389252NYB	¾" Split-Eyelet Body	7.85
4	389262NYB	1" Split-Eyelet Body	7.85
5	21953EPR	Diaphragm, EPDM	.75
5	21953VI	Diaphragm, Viton (optional)	2.30
6	21950-10	End Cap Assembly	5.80
7	389431VI	Viton Seal for Old Series	5.00
7	56726-VITFE	Viton-Teflon Seal for "C" Series	8.65
8A	389212NYB	363 Turret – 3 outlet	7.15
8B	389222NYB	364 Turret – 4 outlet	7.70
8C	389232NYB	365 Turret – 5 outlet	8.15
9	38931NY	E Clip	2.40

REF	PART	DESCRIPTION	PRICE (B)
10	7717-2/13EPR	O-Ring, EPDM Rubber	3.50
10	7717-2/13VI	O-Ring, Viton (optional)	9.55
11	7717-M28-EPR	O-Ring, EPDM	5.15
11	7717-M28-VI	O-Ring, Viton (optional)	14.05
12	38930-8-NYB	Nylon Plug (black)	2.40
13	7717-M28-EPR	O-Ring Dust Seal, EPR Rubber	5.15
13	7717-M28-VI	O-Ring Dust Seal, Viton (optional)	14.05
14	48256SS	Pivot Pin, 303 SS	1.50

To Convert Wet Boom Assemblies to Dry Boom Configurations, Use The Following Fittings With The "389252NYB" ¾" Split-Eyelet Body

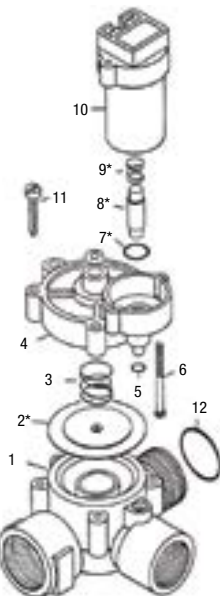
N/A	38936NY	½" Elbow	3.80
N/A	38938NY	¾" Elbow	3.80
N/A	38940NY	1" Elbow	3.80
N/A	38937NY	½" Tee	4.50
N/A	38939NY	¾" Tee	4.50
N/A	38941NY	1" Tee	4.50
N/A	38948NY	½" MNPT x ¾" Hose Shank	4.50

QJ24216



REF	PART	DESCRIPTION	PRICE (B)
1	2012311/4	Screw, 430 SS (for QJ242161/2 and QJ242163/4)	5.25
1	1767413/8SS	Screw, 430 SS (for QJ242161)	5.10
2	24226NYB	Upper Clamp, Nylon (Black) (for QJ242161/2)	4.60
2	24222NYB	Upper Clamp, Nylon (Black) (for QJ242163/4)	4.60
2	17553PPB	Upper Clamp, Poly (Black) (for QJ242161)	6.30
3	7717-2/110BU	O-Ring, Buna-N	1.05
4	24225NY	Main Body w/Lower Clamp, Nylon (Black) (for QJ242161/2)	10.30
4	24220NY	Main Body w/Lower Clamp, Nylon (Black) (for QJ242163/4)	10.30
4	24227NY	Main Body w/Lower Clamp, Nylon (Black) (for QJ242161)	10.30
5	24221304SS	Clip, 304 SS	4.10
6	6227TEF*	Diaphragm, Teflon (optional)	1.25
7	21953EPR	Diaphragm, EPDM Rubber	.75
8	21950-10	Chemsaver End Cap Assembly, Nylon (Black)	5.80
9	7717-2/109EPR	O-Ring, EPDM Rubber (3 required)	3.45
10	24224CE	Indexing Button, Celcon (Grey)	.90
11	242171CE	Indexing Plate Sub-Assembly, Celcon (Black)	17.65

*When the #6227TEF Teflon Diaphragm is used, it is placed in the assembly in front of the #21953-EPR rubber diaphragm

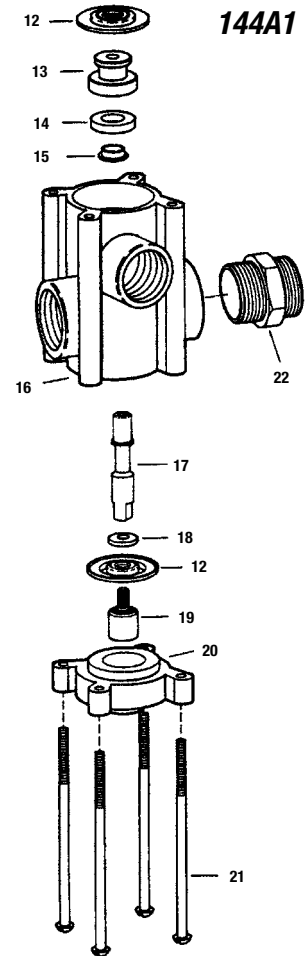
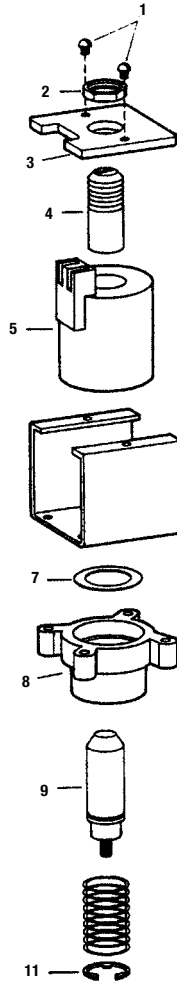


1999 Solenoid Valve

REF	PART	DESCRIPTION	PRICE (E)
1	1962	Valve Body	43.70
2*	1974 ▲●	Viton Diaphragm	57.60
3	1975	Spring	11.20
4	1963	Valve Cover	39.20
5*	1976 ▲●	Viton O-Ring	N/A
6	-	6 - 32 x 3" Screw	N/A
7*	1977 ▲●	Viton O-Ring	7.85
8*	1978 ▲	Plunger 1999 (old)	52.25
8*	2239 ●	Plunger 1999A (new)	49.30
9	1979 ▲●	Plunger Spring	11.40
10	2613	Coil 1999	116.20
10	2515	Coil 1999A	105.90
11	-	#8 x 1 1/2" Screw	N/A
12	2168	O-Ring	5.15
▲	1999A1-KIT-OLD		103.70
●	1999A1-KIT	Repair Kit 1999A	77.75

*Parts Included in Repair Kit.

NOTE: Part # 1978 is for old-style valve; plunger length is 32 mm. New style plunger (part # 2239) is 25 mm in length. Measure before you order!



REF	PART	DESCRIPTION	PRICE (B)
1	14933SS	Screw, SS (2 required)	2.50
2	15168	Jam Nut, Steel, Electroless Nickel Plate	8.30
3	151661	Coil Cover, Steel, Epoxy Painted	7.25
4	151611	Armature Stop, Steel, Electroless Nickel Plate	17.70
5	15163NY	Coil Assembly, Nylon Encapsulated (Black)	81.55
7	15169SS	Washer, 302 SS	3.25
8	15164	Upper Diaphragm Housing, Nylon (Black), Glass Filled	8.65
9	15170	Armature, Steel, Electroless Nickel Plate	32.60
11	148131	Retaining Ring, Steel, Electroless Nickel Plate	3.25
12*	36101EPR	Diaphragm, EPDM Rubber (Standard, 2 required)	11.60
12**	36101VI	Diaphragm, Viton (Optional, 2 required)	26.05
13	14807SS	Seat Washer Retainer, SS	26.35
14*	14802EPR	Seat Washer, EPDM Rubber (Standard)	8.95
14**	14802VI	Seat Washer, Viton (Optional)	31.40
15	14811SS	Spacer, SS	7.65
16	14801PP	Body, Polypropylene (Black)	23.45
17	14812SS	Stem, SS	29.85
18	14806SS	Washer, SS	8.75
19	15162SS	Lower Diaphragm Piston, SS	16.60
20	15165NY	Lower Diaphragm Housing, Glass Filled Nylon (Black)	32.15
21	14819SS	Screw, SS (4 required)	2.95
22	21737NY	Connecting Nipple, Nylon (Black)	7.50
*	AB144A1	Repair Kit	44.30
**	AB144A1VI	Repair Kit	66.20